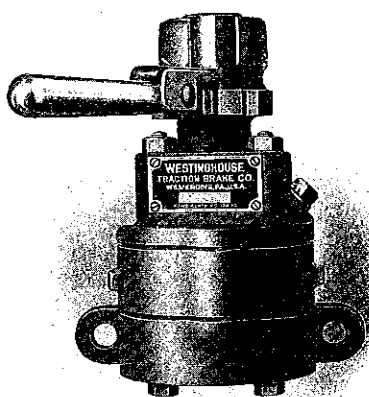


COPYRIGHT, 1908, BY THE

Westinghouse Traction Brake Company.



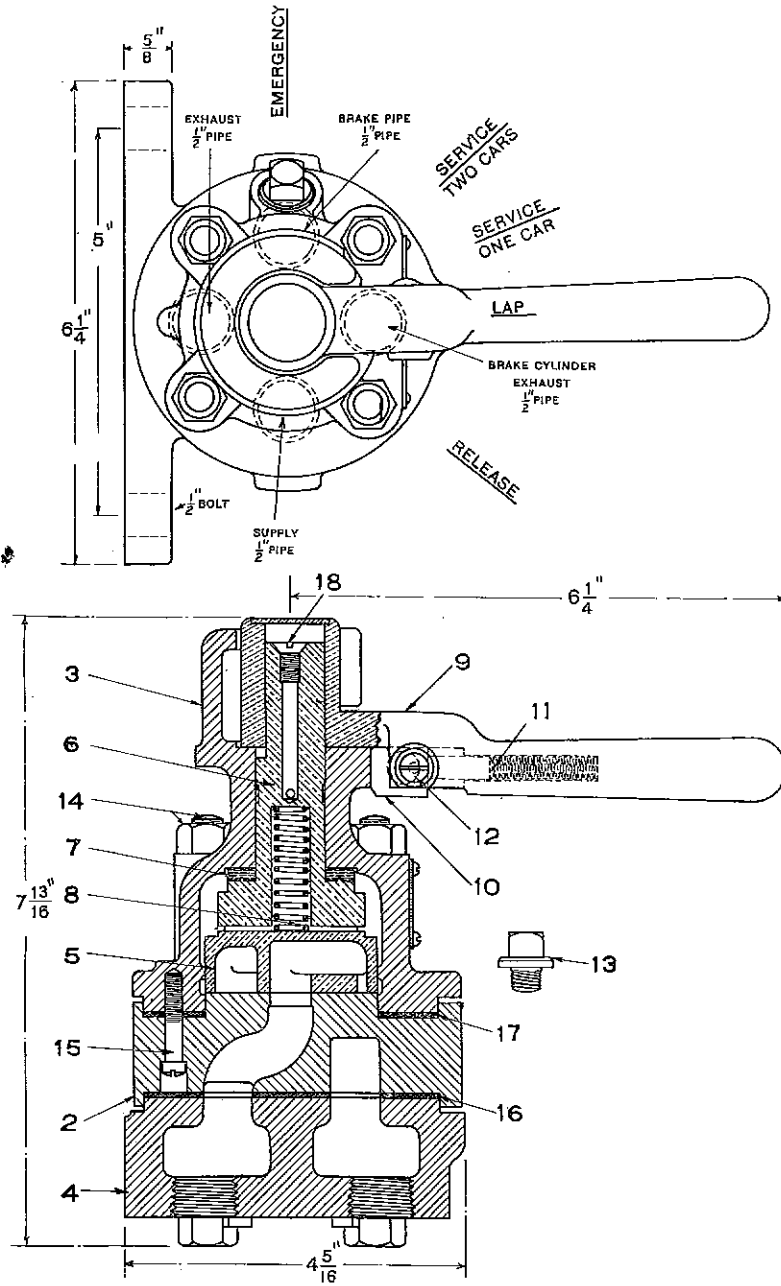
M-18 Brake Valve.

Part Catalog No. T 3508-8.

August, 1912.

(SUPERSEDING ISSUE OF NOVEMBER, 1909.)

M-18 BRAKE VALVE.



Net Weight, 15 lbs.

M-18 BRAKE VALVE.

The M-18 Brake Valve is regularly supplied with SME Motor Car Brake Equipments which include Type D Emergency Valve.

Piece No. 23652. M=18 Brake Valve, with Brass Handle and Pipe Bracket, complete Price, \$21.25

Piece No. 18368. M=18 Brake Valve, with Pipe Bracket, complete, without Handle Price, \$18.75

Pc. No.	Ref. No.		Price
18370	2	Valve Seat	\$3.00
12475	3	Body, complete (includes 13)	6.00
12373	4	Pipe Bracket	2.00
18367	5	Rotary Valve	3.00
23655	6	Rotary Valve Key (includes 18)	3.00
6760	7	Key Washer08
6763	8	Rotary Valve Spring05
26338	9	Brass Handle, complete (includes 10, 11 and 12)	2.50
10921	10	Latch50
9810	11	Latch Spring02
1368	12	Latch Screw03
6753	13	Oil Plug20
14449	14	Bolt and Nut03
14403	15	Fillister Head Screw01
12396	16	Lower Gasket06
28677	17	Upper Gasket15
22262	18	Oil Screw01

NOTE—For Exhaust Muffler see Part Catalog T 3516-2.

Orders must give PIECE NUMBER and NAME of part wanted.

Westinghouse Traction Brake Company,

Pittsburgh, Pa., U. S. A.

WORKS AT WILMERDING, PA.

OFFICES :

ATLANTA	-	-	-	-	-	-	-	-	-	Candler Building
BOSTON	-	-	-	-	-	-	-	-	-	Exchange Building
CHICAGO	-	-	-	-	-	-	-	-	Railway Exchange Building	
CLEVELAND	-	-	-	-	-	-	-	-	-	Schofield Building
COLUMBUS	-	-	-	-	-	-	-	Columbus Savings and Trust Building		
DENVER	-	-	-	-	-	-	-	-	-	Tramway Building
HOUSTON, TEX.	-	-	-	-	-	-	-	-	-	403 Hawthorne Avenue
LOS ANGELES	-	-	-	-	-	-	-	-	-	Lissner Building
MEXICO CITY, MEXICO	-	-	-	-	-	-	-	4a Puente de Alvarado, No. 100		
NEW YORK	-	-	-	-	-	-	-	-	-	City Investing Building
PITTSBURGH	-	-	-	-	-	-	-	-	-	Westinghouse Building
PORTLAND, ORE.	-	-	-	-	-	-	-	-	-	Spalding Building
ST. LOUIS	-	-	-	-	-	-	-	-	-	Security Building
ST. PAUL	-	-	-	-	-	-	-	-	-	Endicott Building
SALT LAKE CITY	-	-	-	-	-	-	-	-	-	McIntyre Building
SAN FRANCISCO	-	-	-	-	-	-	-	-	-	Pacific Building
TOPEKA	-	-	-	-	-	-	-	-	-	623 Kansas Avenue



ASSOCIATED COMPANIES :

THE AMERICAN BRAKE COMPANY,
St. Louis, Mo.

WESTINGHOUSE AIR BRAKE COMPANY,
Pittsburgh, Pa.

CANADIAN WESTINGHOUSE COMPANY, LTD.,
Hamilton, Ontario, Canada.

SOCIÉTÉ ANONYME WESTINGHOUSE,
Paris, France.

WESTINGHOUSE AUTOMATIC AIR AND STEAM
COUPLER COMPANY,
St. Louis, Mo.

THE WESTINGHOUSE BRAKE COMPANY, LTD.,
London, England.
Hanover, Germany.

THE WESTINGHOUSE COMPANY, LTD.,
St. Petersburg, Russia.